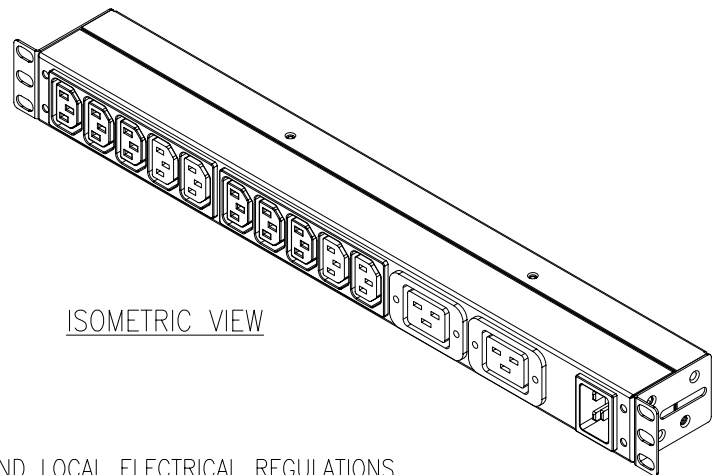
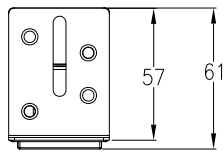
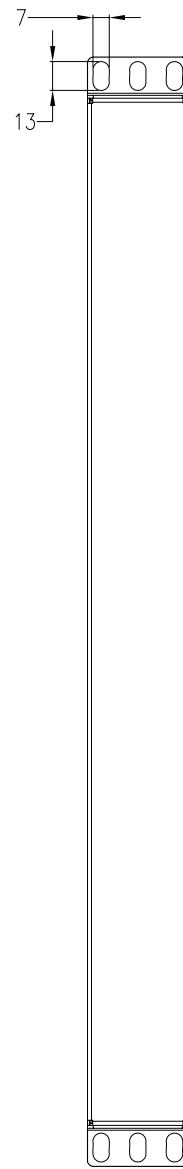
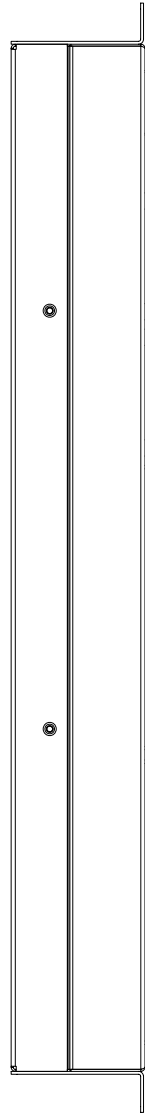
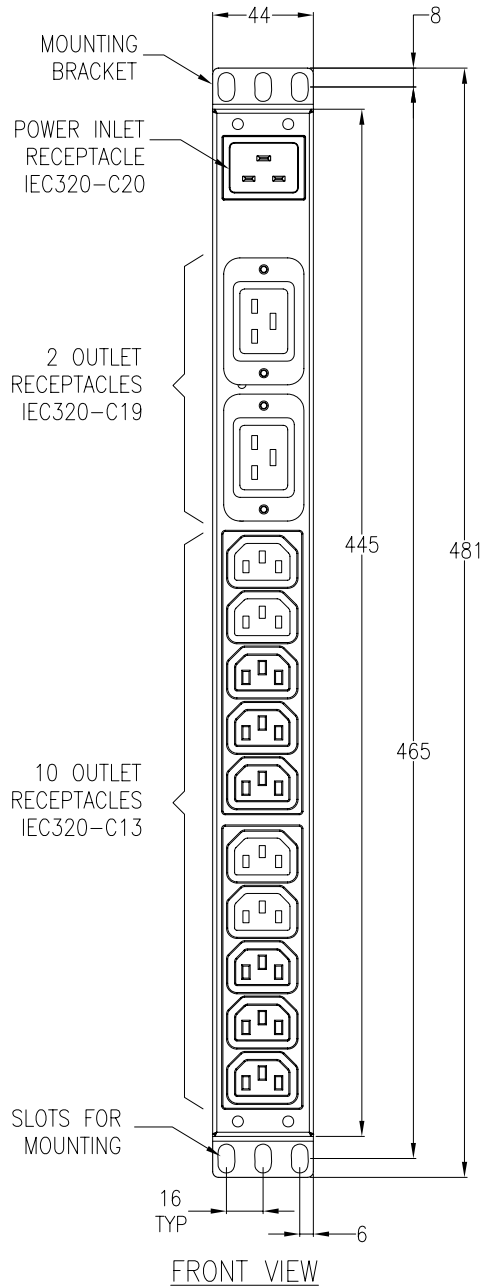


MOUNTING OPTION-1



NOTES:

1. ALL DIMENSIONS ARE IN MILLIMETERS.
2. NET WEIGHT IS 0.98 kg.
3. LENGTH OF THE CORD IS 2500 mm.
4. INSTALLATION MUST COMPLY WITH ALL APPLICABLE NATIONAL AND LOCAL ELECTRICAL REGULATIONS.

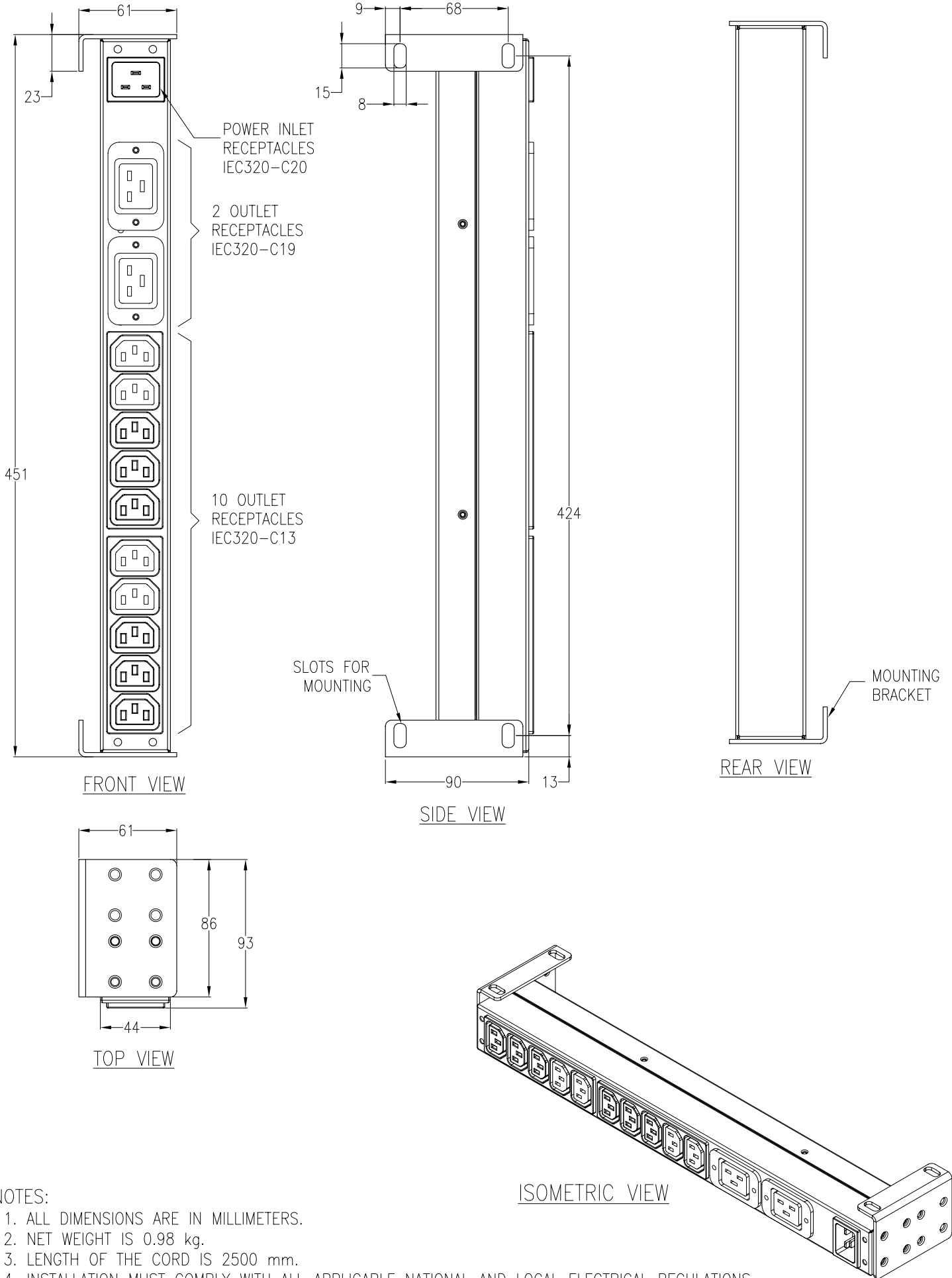
THIS DRAWING AND SPECIFICATIONS HEREIN ARE THE PROPERTY OF AMERICAN POWER CONVERSION AND SHALL NOT BE COPIED, REPRODUCED OR USED IN WHOLE OR IN PART, AS THE BASIS FOR THE MANUFACTURE OR SALE OF ITEMS WITHOUT WRITTEN PERMISSION FROM APC. THIS DRAWING IS BASED UPON LATEST AVAILABLE INFORMATION AND IS SUBJECT TO CHANGE WITHOUT NOTICE.



TITLE: RACK PDU, BASIC
 1U, 16A, 120V/208V/230V, INPUT: IEC320-C20
 OUTPUT: (10) IEC320-C13 & (2) IEC320-C19
 MAIN MECHANICAL, MOUNTING OPTION-1
 PROJECT: SUBMITTAL DRAWINGS SHEET 1 OF 3

DWG NO:	AP9559	REV:	0
DRAWN:	JAYAPRAKASH	06-FEB-08	FIRST ANGLE PROJECTION
ENGINEER:	T.HORSTMANN	23-FEB-08	
APPROVED:	C.LARSEN/S.WAGH	23-FEB-08	

MOUNTING OPTION-2



NOTES:

1. ALL DIMENSIONS ARE IN MILLIMETERS.
2. NET WEIGHT IS 0.98 kg.
3. LENGTH OF THE CORD IS 2500 mm.
4. INSTALLATION MUST COMPLY WITH ALL APPLICABLE NATIONAL AND LOCAL ELECTRICAL REGULATIONS.

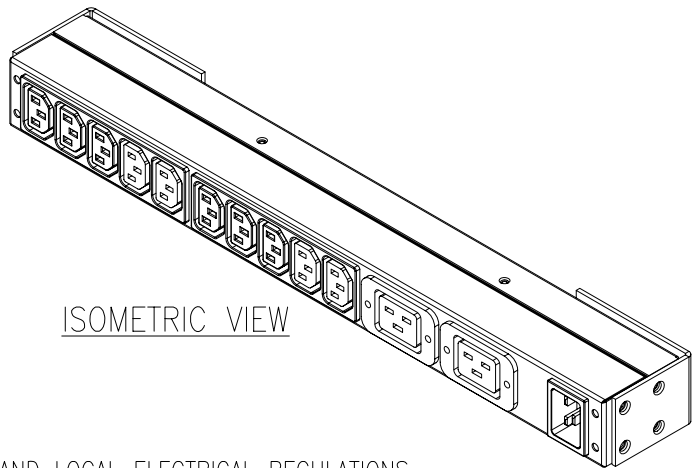
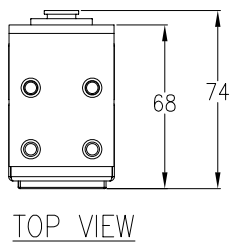
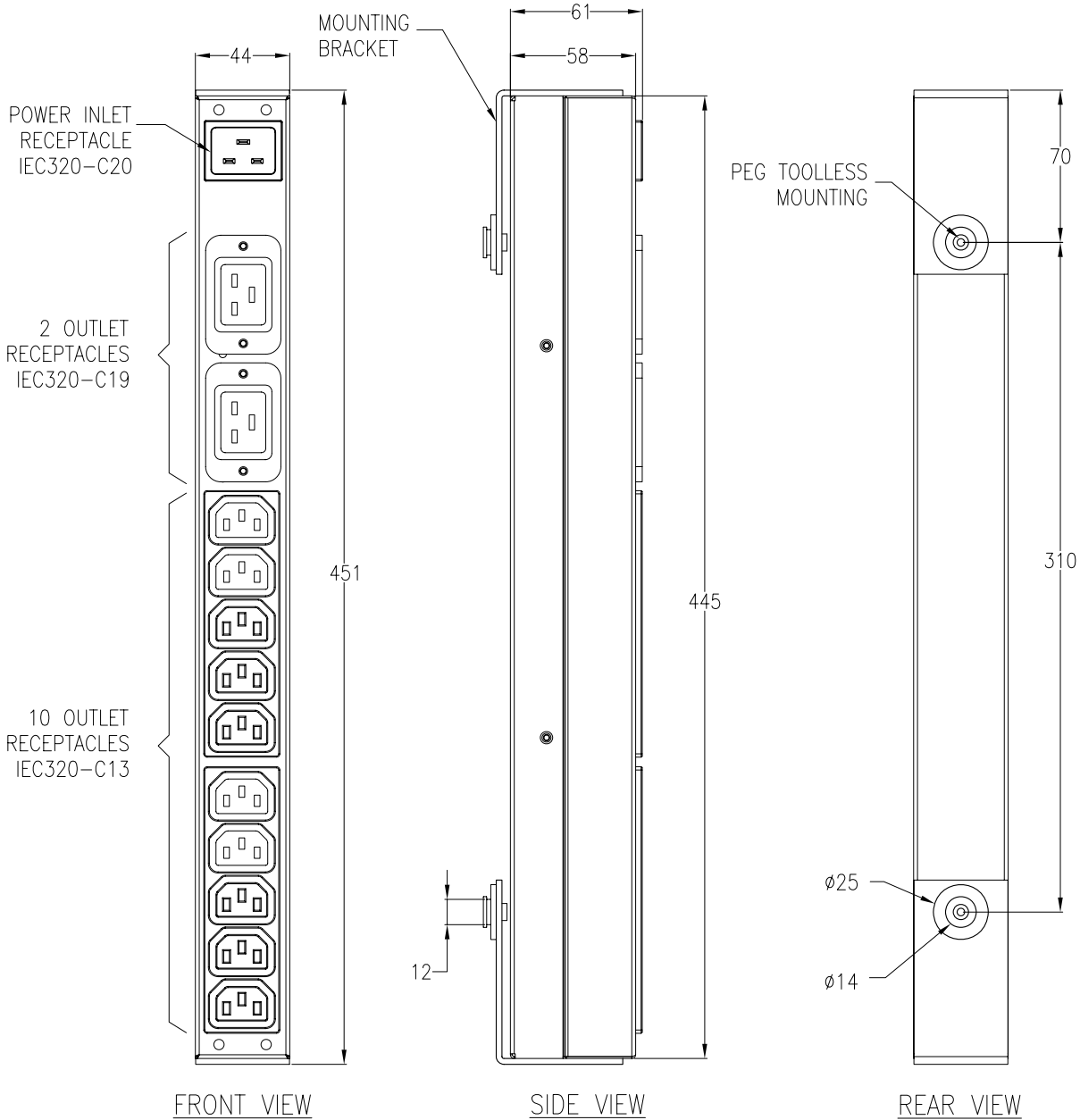
THIS DRAWING AND SPECIFICATIONS HEREIN ARE THE PROPERTY OF AMERICAN POWER CONVERSION AND SHALL NOT BE COPIED, REPRODUCED OR USED IN WHOLE OR IN PART, AS THE BASIS FOR THE MANUFACTURE OR SALE OF ITEMS WITHOUT WRITTEN PERMISSION FROM APC. THIS DRAWING IS BASED UPON LATEST AVAILABLE INFORMATION AND IS SUBJECT TO CHANGE WITHOUT NOTICE.



TITLE: RACK PDU, BASIC
 1U, 16A, 120V/208V/230V, INPUT: IEC320-C20
 OUTPUT: (10) IEC320-C13 & (2) IEC320-C19
 MAIN MECHANICAL, MOUNTING OPTION-2
 PROJECT: SUBMITTAL DRAWINGS | SHEET 2 OF 3

DWG NO:	AP9559	REV:	0
DRAWN:	JAYAPRAKASH	06-FEB-08	FIRST ANGLE PROJECTION
ENGINEER:	T.HORSTMANN	23-FEB-08	
APPROVED:	C.LARSEN/S.WAGH	23-FEB-08	

MOUNTING OPTION-3



NOTES:

1. ALL DIMENSIONS ARE IN MILLIMETERS.
2. NET WEIGHT IS 0.98 kg.
3. LENGTH OF THE CORD IS 2500 mm.
4. INSTALLATION MUST COMPLY WITH ALL APPLICABLE NATIONAL AND LOCAL ELECTRICAL REGULATIONS.

THIS DRAWING AND SPECIFICATIONS HEREIN ARE THE PROPERTY OF AMERICAN POWER CONVERSION AND SHALL NOT BE COPIED, REPRODUCED OR USED IN WHOLE OR IN PART, AS THE BASIS FOR THE MANUFACTURE OR SALE OF ITEMS WITHOUT WRITTEN PERMISSION FROM APC. THIS DRAWING IS BASED UPON LATEST AVAILABLE INFORMATION AND IS SUBJECT TO CHANGE WITHOUT NOTICE.



TITLE: RACK PDU, BASIC
 1U, 16A, 120V/208V/230V, INPUT: IEC320-C20
 OUTPUT: (10) IEC320-C13 & (2) IEC320-C19
 MAIN MECHANICAL, MOUNTING OPTION-3
 PROJECT: SUBMITTAL DRAWINGS | SHEET 3 OF 3

DWG NO:	AP9559	REV:	0
DRAWN:	JAYAPRAKASH	06-FEB-08	FIRST ANGLE PROJECTION
ENGINEER:	T.HORSTMANN	23-FEB-08	
APPROVED:	C.LARSEN/S.WAGH	23-FEB-08	